

TECHNICAL UPDATE

HORIZONTAL CAVITY TRAYS OVER HORIZONTAL ROOF ABUTMENTS

Horizontal cavity trays over horizontal roof abutments

Within [Section 6 - External Walls of our Technical Manual](#) the detail below can be found showing a horizontal roof abutment.

One of the critical details here is the correct linking of the cavity tray with the cover flashing, in that the cover flashing must sit directly underneath the cavity tray.

It is the incorrect installation of the horizontal cavity trays that is all too common on building sites.

In order to achieve this correct linking the cavity tray must be bedded on a thin bed of mortar, which is then raked out prior to the mortar curing, this is all in order to allow the cover flashing to be installed correctly underneath the cavity tray.

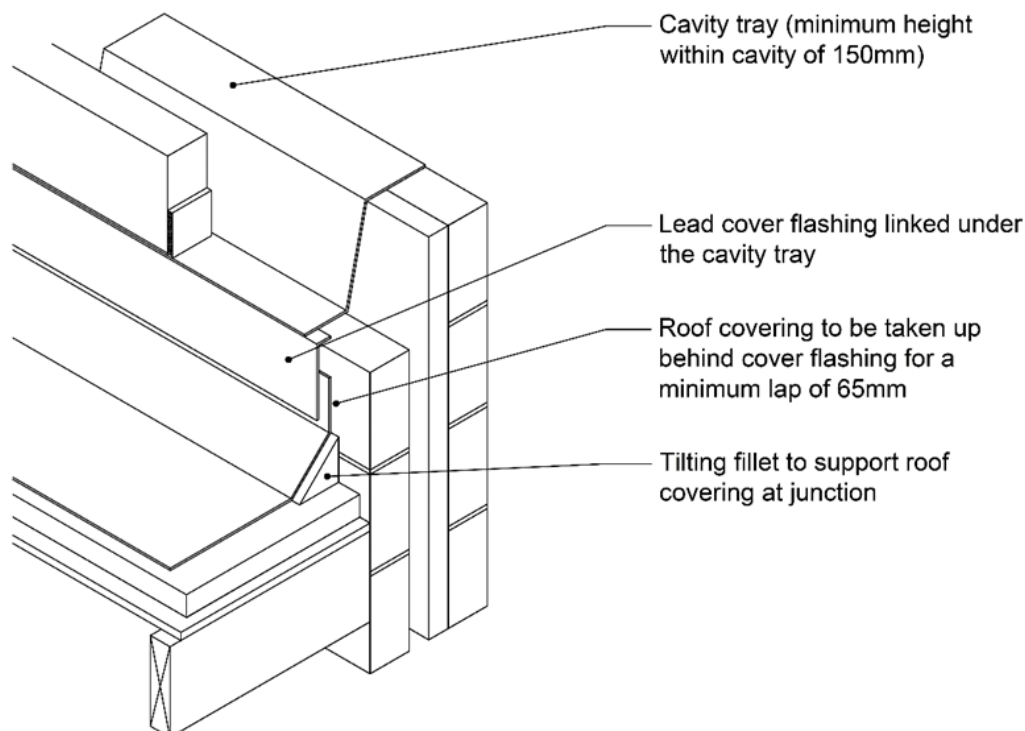


Figure 1: Cavity tray over a flat roof/wall abutment

TECHNICAL UPDATE

HORIZONTAL CAVITY TRAYS OVER HORIZONTAL ROOF ABUTMENTS



It is the incorrect installation of the horizontal cavity trays that is all too common on building sites.

In order to achieve this correct linking the cavity tray must be bedded on a thin bed of mortar, which is then raked out prior to the mortar curing, this is all in order to allow the cover flashing to be installed correctly underneath the cavity tray.

This raking out of the thin mortar bed will allow the horizontal cavity trays to be visible over any such roof abutments whilst walking around a site. Therefore, if no cavity trays can be witnessed over a completed roof abutment, then the construction practices on a site need to be discussed with the site management.

Every care was taken to ensure information in this article was correct at the time of writing (January 2022). Guidance provided does not replace the reader's professional judgement and any construction project should comply with the relevant building regulations or applicable technical standards. For the most up to date LABC Warranty technical guidance please refer to your risk management surveyor and the latest version of the [LABC Warranty Technical Manual](#).

LABCWARRANTY.CO.UK